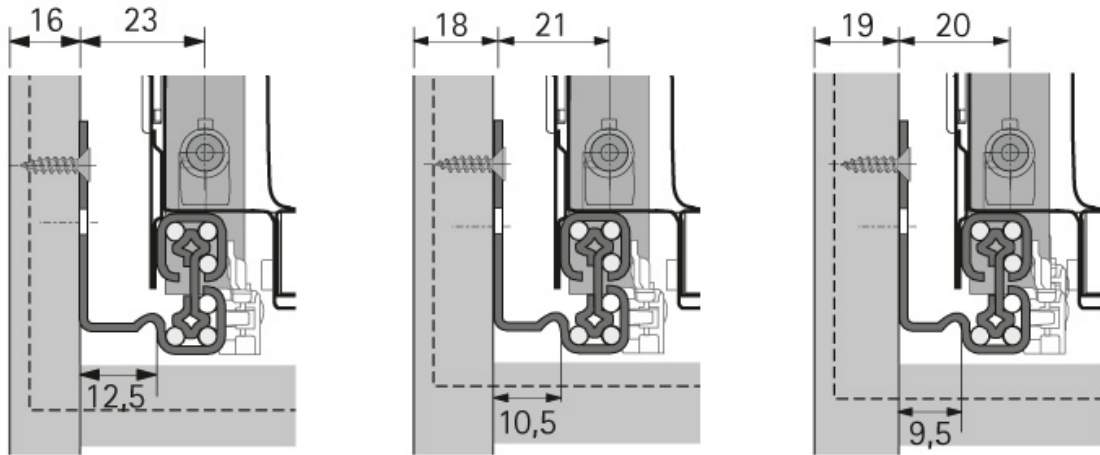


COULISSE QUADRO V6 PUSH TO OPEN

HETTICH



<https://www.qama.fr/coulisse-quadro-v6-push-to-open-p26908>



Tel : 02 43 13 49 49

Fax : 02 43 30 26 16

www.qama.fr