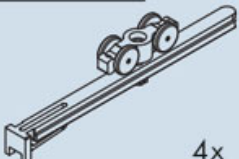
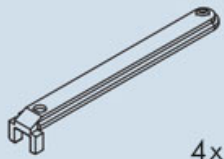


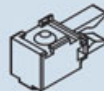

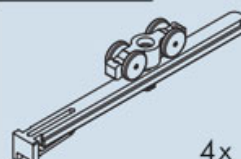
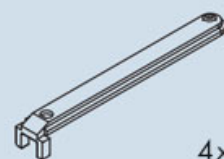







Garnituren / Sets / Garnitures

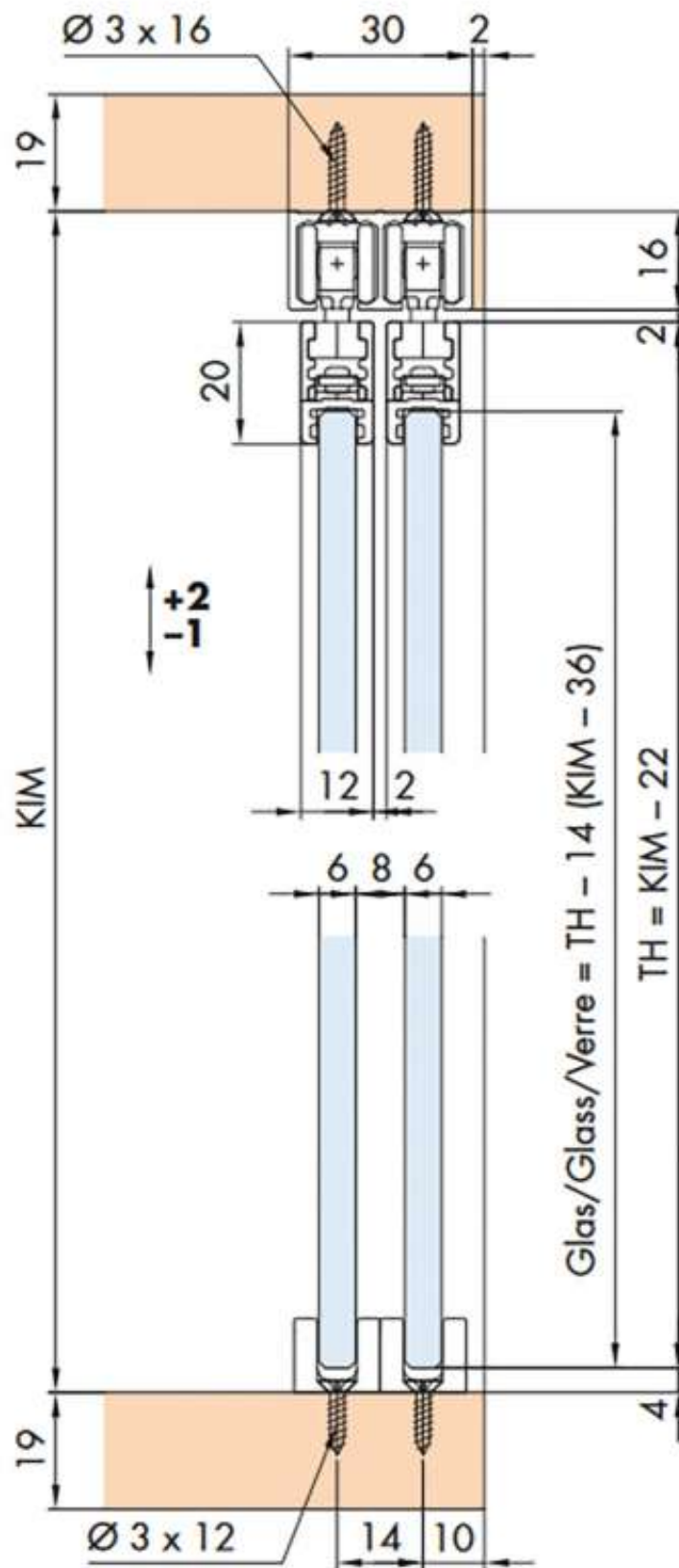
GPK	
2 Türen Doors Portes	No. 053.3264.071
 4x	 4x
 2x	 1x
 2x	

GPPK	
2 Türen Doors Portes	No. 053.3265.071
 4x	 4x
 2x	 1x
 2x	 4x
	

<https://www.qama.fr/garniture-complete-gpkgppk-pour-2-vantaux-p30747>

GARNITURE CLIPO 16 GPK / GPPK IS

HAWA



<https://www.qama.fr/garniture-complete-gpkgppk-pour-2-vantaux-p30747>



Tel : 02 43 13 49 49

Fax : 02 43 30 26 16

www.qama.fr