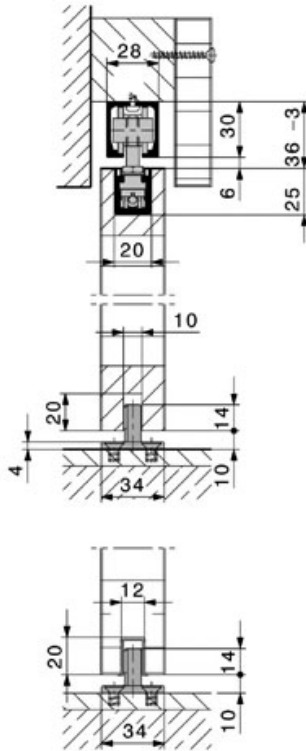


GARNITURE JUNIOR 40B / 40B POCKET

HAWA



<https://www.qama.fr/garniture-junior-40b-p8435>



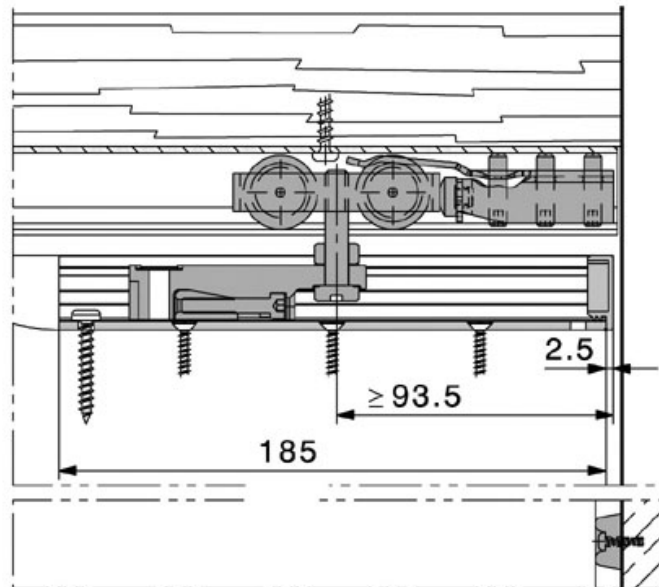
Tel : 02 43 13 49 49

Fax : 02 43 30 26 16

www.qama.fr

GARNITURE JUNIOR 40B / 40B POCKET

HAWA



<https://www.qama.fr/garniture-junior-40b-p8435>