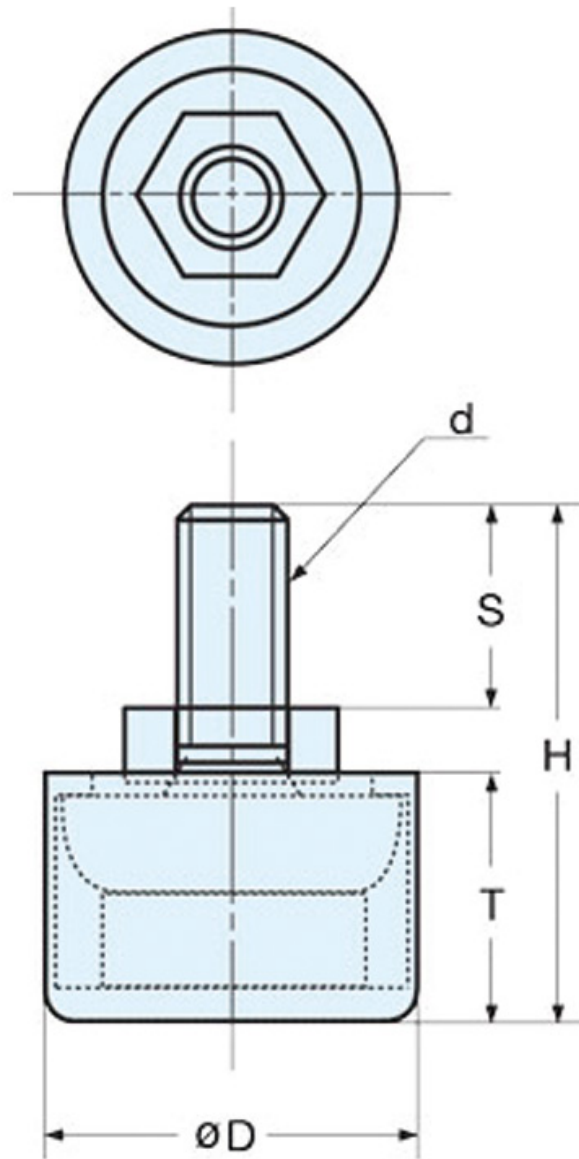


<https://www.qama.fr/verin-automatique-p10251>



<https://www.qama.fr/verin-automatique-p10251>

Item No.	D	H	T	S	d	Applicable Table Weight			Load Capacity (kg)	Weight (g)	Box (pcs)	Carton (pcs)
						6 pcs use (kg)	5 pcs use (kg)	4 pcs use (kg)				
SAJ30-10N2.5	32	33	19	9	W5/16	10~18 (22~39 lbs)	8~15 (17~33 lbs)	7~12 (15~26 lbs)	50 (110 lbs)	26	40	400
SAJ30-10N 3	32	37	19	12	W3/8			36				
SAJ30-12N 2.5	32	33	19	9	W5/16	18~36 (39~79 lbs)	15~30 (33~66 lbs)	12~24 (26~24 lbs)		26		
SAJ30-12N 3	32	37	19	12	W3/8			36				
Part Name	Material	Finish	Box (pcs)	Carton (pcs)	Part Name	Material	Finish / Color					
SAJ- WRENCH14 (For N2.5)	Steel	Chromate	1	40	Body	Polyethylene	Black					
SAJ- WRENCH17 (For N3)			1	40	Nut(10) Nut(12)	Steel	Yellow Zinc Chromate Chomate					
					Screw	Steel	Chomate					

<https://www.qama.fr/verin-automatique-p10251>

